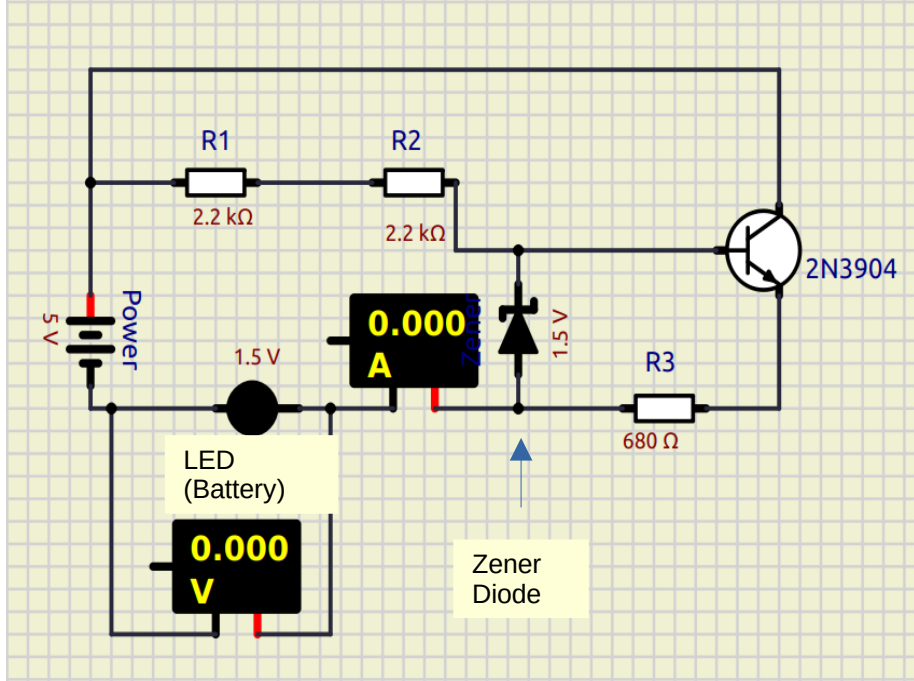


Circuit is off



Circuit is on

